

**TORO**

## ROPS HARD CAB

Model No. 30391 - Serial No. 250000001 and Up

This cab is intended to be used on the following products and not to be used on any other units:

Toro 3280-D  
Toro 3320






This cab is manufactured for The Toro Company by Jodale Perry Corporation.

This product is covered by a two year limited warranty by Jodale Perry Corporation.

### Operator's Manual

[www.jodaleperry.com](http://www.jodaleperry.com)

©2005 Jodale Perry Corporation  
204-822-9100  
Box 909  
300 Route 100  
Morden, Manitoba, CANADA  
R6M 1A8

-  **CAUTION:** Read and follow all safety statements and assembly instruction, before attempting to mount or operate vehicle with sunshade installed.
-  **CAUTION:** The resulting noise levels when using this product will exceed OSHA standards for an 8 hour work day and hearing protection with a Noise Reduction Rating (NRR) of 22 or higher is required.
-  **CAUTION:** This unit is heavy, and should be mounted with a minimum of two personnel and a hoist.
-  **INSTALLER:** Leave these instructions with end user. If Manual is lost or damaged, please contact your Toro dealer/distributor for replacement.
-  **END USER:** Keep this manual for future reference.



<b><u>TABLE OF CONTENTS</u></b>	<b>Page</b>
<b>TO THE PURCHASER</b>	<b>4</b>
<i>ILLUSTRATIONS</i>	4
<i>DIRECTION REFERENCE</i>	4
<i>WARRANTY</i>	4
<b>SAFETY PRECAUTIONS</b>	<b>5</b>
<i>SAFETY FIRST</i>	5
<i>CHILDREN</i>	6
<b>CAB SAFETY</b>	<b>6</b>
<i>BEFORE OPERATION</i>	6
<i>CAB OPERATION</i>	6
<b>MAINTENANCE</b>	<b>9</b>
<b>DECALS</b>	<b>10</b>
<b>CAB OPERATING INSTRUCTIONS</b>	<b>11</b>
<i>DOORS AND WINDOWS</i>	11
Locking and Un-locking the Door	11
Opening the Door	11
Opening Escape Window	11
Opening Side Window	12
<i>DOME LIGHT</i>	12
<i>CAB SWITCHPLATE</i>	12
Front Wiper/Washer Switch	12
Using the Wipers in Winter	13
Front Work Lights	13
Rear Work Light (Optional)	13
<i>HEATER/PRESSURIZING FAN</i>	14
Airflow Direction	14
Air Control Louvers	14
<i>HEATER CONTROLS ON SWITCH PLATE</i>	14
Fan Control	14
Temperature Control	14
<b>PARTS</b>	<b>15</b>
<i>FIXED GLASS</i>	16
<i>ROPS MOUNTING ASSEMBLY</i>	17
<i>FRAME PARTS</i>	18
<i>BODY PANELS</i>	19
<i>DOOR ASSEMBLY</i>	20
<i>ACCESSORIES ASSEMBLY</i>	21
<i>ESCAPE WINDOW ASSEMBLY</i>	22
<i>OPENING SIDE WINDOW ASSEMBLY</i>	23
<i>ROOF/HEADLINER</i>	24

## **TO THE PURCHASER**

All products are designed to give safe, dependable service if they are operated and maintained according to instructions. Read and understand this manual before operation.

This manual has been prepared to assist the owner and operators in the safe operation and suitable maintenance of the cab. The information is applicable to products at the time of manufacture and does not include modifications made afterwards.

Read and understand this operator's manual before attempting to put equipment into service. Familiarize yourself with the operating instructions and all the safety recommendations contained in this manual and those labeled on the equipment and on the tractor. Follow the safety recommendations and make sure that those with whom you work follow them.

### ***ILLUSTRATIONS***

The illustrations may not necessarily reproduce the full detail and the exact shape of the parts or depict the actual models, but are intended for reference only.

### ***DIRECTION REFERENCE***

All references to right and left, forward or rearward, are from the operator's seat, facing the steering wheel.

### ***WARRANTY***

You are responsible for notifying the Commercial Products Distributor or Authorized Commercial Products Dealer from whom you purchased this product as soon as you believe a warrantable condition exists.

If you need help locating a Commercial Products Distributor or Authorized Commercial Products Dealer, or if you have questions regarding your warranty rights or responsibilities, you may contact us at:

Jodale Perry Corporation

Box 909

300 Route 100

Morden, Manitoba, Canada

R6M 1A8

Phone: 204-822-9100 ext.227 Fax: 204-822-9111 Email: akyle@jodaleperry.com

*To assist your dealer in handling your needs, please record hereafter the model number and serial number of your cab and tractor. It is also advisable to supply them to your insurance company. It will be helpful in the event that the cab or tractor is lost or stolen.*

**TRACTOR CAB:** \_\_\_\_\_

**MODEL:** \_\_\_\_\_

**SERIAL NUMBER:** \_\_\_\_\_

**DATE OF PURCHASE:** \_\_\_\_\_






**DEALER NAME:** \_\_\_\_\_

## **SAFETY PRECAUTIONS**

### **SAFETY FIRST**



This symbol, the industry's "Safety Alert Symbol", is used throughout this manual and on labels on the machine itself to warn of the possibility of personal injury. Read these instructions carefully. It is essential that you read the instructions and safety regulations before you attempt to assemble or use this cab.

 <b>DANGER:</b>	Indicates an immediate hazardous situation which, if not avoided, will result in death or serious injury.
 <b>WARNING:</b>	Indicates a potentially hazardous situation which, if not avoided, could result in death or serious injury.
 <b>CAUTION:</b>	Indicates a potentially hazardous situation which, if not avoided, may result in minor or moderate injury.
 <b>IMPORTANT:</b>	Indicates that the cab or property damage could result if instructions are not followed.
 <b>NOTE:</b>	Gives helpful information.

All products are designed to give safe, dependable service if they are operated and maintained according to instructions. It is the owner's responsibility to be certain anyone operating this product reads this manual, and all other applicable manuals, to become familiar with this cab and all safety precautions. Failure to do so could result in serious personal injury or cab damage. If you have any questions, consult your dealer.

### **Read and understand this manual before operation.**

#### **NOTE**

A safe operator is the best assurance against accidents. All operators, no matter how experienced they may be, should read this operator's manual and all other related manuals before attempting to operate the cab. Please read the following section and pay particular attention to all safety recommendations contained in this manual and those labeled on the cab and on the tractor.

Cab recommended for use on 4WD units only.

### **Weight Requirements for compliance with ANSI B71.4-2004**

Groundsmaster 3280-D 4WD Serial Numbers (250000001 – 250999999) 205 lbs.  
Qty. (1) Toro Part 24-5780 Rear Weight Kit, Qty. (1) Toro Part 108-9682 Rear Weight Kit, and Qty. (1) Toro 24-5790 Rear Weight 35 lbs.

## **CHILDREN**

Tragic accidents can occur if the operator is not alert to the presence of children. Children are generally attracted to machines and the work being done. Never assume children will remain where you last saw them.

1. Keep children out of the operating area and under the watchful eye of another responsible adult.
2. Be alert and turn machine off if children enter the work area.
3. Before and when backing up, look behind for small children.
4. Never carry children while operating the machine. They may fall off and be seriously injured or interfere with the safe operation of the machine.
5. Never allow children to play on the machine or cab even though they are turned off.
6. Never allow children to operate the machine even under adult supervision.
7. Use extra care when approaching blind corners, shrubs, trees, or other obstructions that might hide children from sight.

## **CAB SAFETY**

### ***BEFORE OPERATION***

Read and understand both the tractor and this operator's manual before operating the equipment. **Know how to operate all controls and how to stop the unit and disengage controls quickly.** Lack of knowledge could lead to accidents.

1. Never wear loose, torn, or bulky clothing around the tractor and cab. They can catch on moving parts or controls, causing injury.
2. Before and during seasons, thoroughly inspect the area where the cab is to be used and remove all objects that may be blown or cause damage to the cab.
3. Do not operate cab in wintertime without wearing adequate winter garments. Always wear protective clothing.
4. Never attempt to make any adjustments while engine is running. Read this manual carefully to acquaint yourself with the cab as well as the tractor operator's manual. Working with an unfamiliar cab can lead to accidents. Be thoroughly familiar with the controls and proper use of the cab.
5. Keep all safety guards in place and verify hardware for proper tightening.
6. Check for moving parts excessive wear regularly. Replace worn parts with genuine parts.
7. Replace all missing, illegible, or damaged safety and warning decals. See list of decals in operator's manual.
8. Do not modify or alter this cab or any of its components or any cab function without first consulting your dealer.
9. Keep safety decals clean of dirt and grime.
10. Make sure tractor is counterweighted as recommended by your dealer. Weights provide the necessary balance to improve stability, traction and steering.

### ***CAB OPERATION***

1. Before leaving the tractor unattended, take all possible precautions. Park the tractor/cab on level ground, place the transmission in neutral, set the parking brake, disengage the PTO, lower all attachments to the ground, place all levers including the auxiliary control levers in neutral, shut off the engine and remove the ignition key.
2. Before starting the tractor/cab, inspect and clean all moving parts.
3. Be sure the PTO switch/lever is in OFF position before starting engine.
4. Exercise extreme caution when operating on or crossing a gravel drive, walks, or roads. Stay alert for hidden hazards or traffic.
5. Do not carry passengers.
6. Keep clear of all rotating parts. Do not put hands or feet under or into tractor attachments with engine running.
7. Park the tractor/cab on level ground, place the transmission in neutral, set the parking brake, disengage the PTO, lower tractor attachments to the ground, place all control levers in neutral, shut off the engine, remove the ignition key and allow any moving parts to stop **BEFORE** making any repairs, adjustments, or inspections.
8. Do not run engine indoors except when starting engine and transporting attachment in or out of building. Carbon monoxide gas is colorless, odorless, and deadly.

9. Never operate cab without guards, and other safety protective devices in place. All tractor and cab covers must be correctly installed at all times. When necessary to remove these, they must be re-installed immediately.
10. Never operate cab/tractor at high transport speeds on a slippery surface.
11. Use extra caution when backing up.
12. Disengage power to cab when transporting or when not in use.
13. Never operate cab/tractor without good visibility and lighting.
14. Prolonged exposure to loud noise can cause hearing impairment or loss of hearing. Wear a suitable hearing protective device such as earmuffs or earplugs to protect against objectionable or uncomfortable noises.
15. Never allow anyone near the work area.
16. Never allow anyone to operator the cab until they have read the manual completely and are familiar with basic tractor and cab operation.
17. Make sure the tractor is counterweighted as recommended by your dealer. Weights provide the necessary balance to improve stability, traction, and steering.
18. Always make sure all cab components are properly installed and securely fastened **BEFORE** operation.
19. Make sure nobody is in the working area of the tractor/cab as serious personal injury could occur.
20. Do not allow passengers on the tractor/cab at any time. There is no safe place for passengers in the cab. The operator **MUST** sit in the tractor seat.
21. Eye and hearing protection is recommended when operating the cab.
22. Inspect the cab after striking and foreign object to assure that all cab parts are safe and secure and not damaged.
23. Be especially observant of operating area and terrain. Watch for holes, rocks, or other hidden hazards. **ALWAYS** inspect area prior to operating cab/tractor.
24. **DO NOT** operate cab near the edge of drop-offs or banks.
25. **DO NOT** operate cab on steep slopes as overturn may result.
26. Operate up and down (not across) intermediate slopes. Avoid sudden starts and stops.
27. Slow down before you change directions on any slope.
28. Never stand alongside the tractor/cab while the engine is running.



## **MAINTENANCE**

### **ALWAYS USE GENUINE PARTS WHEN REPLACEMENT PARTS ARE REQUIRED.**

1. Keep the tractor and cab properly maintained.
2. Park the tractor/cab on level ground, place the transmission in neutral, set the parking brake, disengage the PTO, lower all tractor attachments to the ground, place all control levers in neutral, shut off the engine and remove the ignition key and allow all moving parts to stop BEFORE making any tractor/cab adjustments.
3. To avoid injury, do not adjust, unblock the driving system, or service the cab with the tractor engine running. Make all moving parts have completely stopped before leaving the operator's seat.
4. Keep the tractor/cab clean. Snow, dirt, or ice build-up can lead to malfunction or personal injury from thawing and refreezing in the garage.
5. Always wear eye protection when cleaning or servicing the cab.
6. DO NOT service the tractor while the engine is running or hot, or if the unit is in motion. Always lower tractor attachments to the ground. If necessary to service attachments in raised position, securely support with stands or suitable blocking before working underneath. Do not rely on hydraulically supported devices for your safety. They can settle suddenly, leak down, or be accidentally lowered.
7. Do not attempt to service machine, clear obstructions, or unclog drive system with the engine running. Always shut off engine and allow all motion to cease.
8. The manufacturer will not claim responsibility for fitment of unapproved parts and/or accessories and any damages as a result of their use.
9. Make sure all shields and guards are securely in place following all service, cleaning, or repair work.
10. Do not modify or alter cab or any of its components or operating functions. If you have any questions concerning modifications, consult with your dealer.
11. Do not operate a cab that is defective or has missing parts. Make sure all recommended maintenance procedures are completed before operating cab.
12. Check all controls regularly and adjust where necessary. Make sure that the brakes are evenly adjusted.
13. Periodically check all nuts and bolts for tightness, especially wheel hub and rim nuts.
14. To avoid serious personal injury: Escaping hydraulic/diesel fluid under pressure can penetrate the skin causing serious injury. Do not use your hands to check for leaks. Use a piece of cardboard or paper to search for leaks.
15. Stop engine and relieve pressure before connecting or disconnecting hydraulic hoses. Tighten all connections before starting engine or pressurizing hoses.
16. Ensure cab hinges are properly lubricated. If hinges are closing hard, or partially seized, lubrication is required. Remove door/escape window/side vent windows to grease each part of the hinge separately. This should occur semi-annually.

## DECALS

Replace immediately if damaged or missing. Contact Jodale Perry for replacement decals.

**CAUTION**

OPERATING INSTRUCTIONS (ROPS CAB AND MACHINE) MUST BE GIVEN TO EVERYONE USING THIS MACHINE AT THE TIME OF INITIAL ASSIGNMENT AND AT LEAST ANNUALLY THEREAFTER IN ACCORDANCE WITH OSHA 1928.51 AND 1928.57.

READ THE OWNER'S/OPERATOR'S MANUALS PROVIDED WITH THE ROPS CAB AND THE MACHINE.

SECURELY FASTEN YOUR SEATBELTS.

MAKE SURE EVERYONE IS CLEAR OF MACHINERY BEFORE STARTING THE ENGINE OR OPERATING THE MACHINE.

WHERE POSSIBLE AVOID OPERATING THE MACHINE NEAR DITCHES, EMBANKMENTS OR HOLES.

REDUCE SPEED WHEN TURNING, CROSSING SLOPES AND ON ROUGH, SLIC OR MUDDY SURFACES.

STAY OFF SLOPES TOO STEEP FOR SAFE OPERATION.

WATCH WHERE YOU ARE GOING, ESPECIALLY ON ROADS AND AROUND TREES.

DO NOT PERMIT OTHERS TO RIDE.

OPERATE THE MACHINE SMOOTHLY-NO JERKY STARTS, TURNS OR STOPS.

WHEN MACHINE IS STOPPED, SET PARKING BRAKE SECURELY.

S1G160

**WARNING**

AVOID POSSIBLE INJURY OR DEATH FROM IMPROPER MOUNTING OR MAINTENANCE OF ROPS CAB.

IF THE MACHINE IS NOT EQUIPPED WITH SEAT BELTS, FACTORY APPROVED SEAT BELTS MUST BE INSTALLED PRIOR TO OPERATING.

ALWAYS FASTEN SEAT BELTS WHEN OPERATING MACHINE EQUIPPED WITH ROLLOVER PROTECTIVE STRUCTURE.

THIS ROLLOVER PROTECTIVE STRUCTURE DESIGN MEETS PERFORMANCE CRITERIA FOR ROPS STANDARDS LISTED ON ROPS SERIAL NO. PLATE, WHEN INSTALLED IN ACCORDANCE WITH JODALE PERRY CORPORATION MOUNTING INSTRUCTIONS.

THE PROTECTION AFFORDED MAY BE IMPAIRED IF IT HAS BEEN SUBJECT TO ALTERATION, STRUCTURAL DAMAGE OR INVOLVED IN AN OVERTURN ACCIDENT. IN THESE CASES THE ENTIRE STRUCTURE MUST BE REPLACED.

S1G161



98-4387

### CAUTION

The resulting noise levels when using this product will exceed OSHA standards for an 8 hour workday and hearing protection with a Noise Reduction Rating (NRR) of 22 or higher is required.

# **CAB OPERATING INSTRUCTIONS**

## ***DOORS AND WINDOWS***

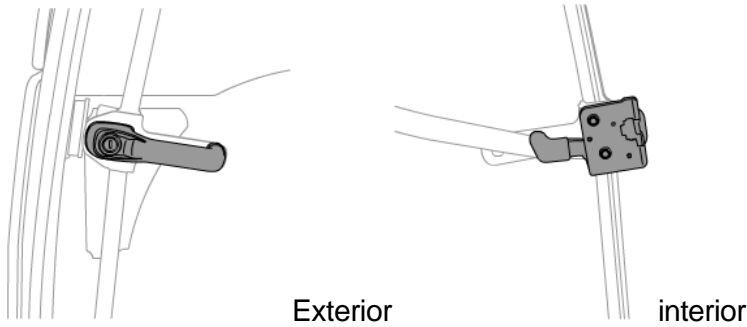
### **Locking and Un-locking the Door**

From the outside: Insert key into the door lock. Turn key clockwise to unlock the door. Turn key counter-clockwise to lock the door. When the key is in the vertical position, it can be removed from the lock. The cab door is not lockable from the inside of the cab.

---

### **Opening the Door**

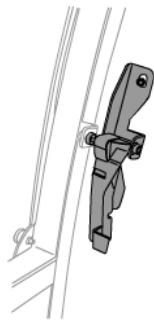
From the outside: Unlock the door and push the round button. From the inside: Push the door latch handle down and push open the door so that the gas shock opens the door.



### **Opening Escape Window**

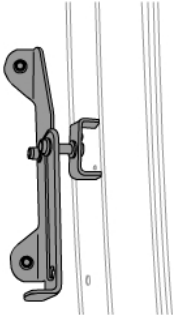
For ventilation: Grab the handle and pull out and away from window so that latch slides on the pin. Slide on the pin until it reaches the end of travel on the handle and then secure onto pin by pushing down on the handle.

For escape: Grab the handle and pull out and then slide latch down until the end of travel. Pull handle away from pin and window is free from latch. Open window fully for escape.



### **Opening Side Window**

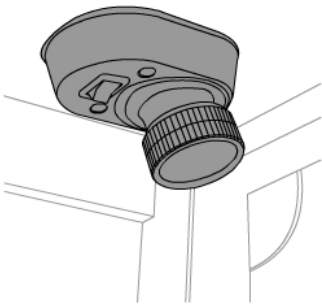
Pull the side window latch up to release from the pin, and push out to open window. Push down on latch to secure open for ventilation.



---

### ***DOMELIGHT***

The rocker switch on the domelight activates the light. Push switch down to turn on domelight and to turn off downlight.



**IMPORTANT:** The cab is wired such that the ignition switch turns on all cab electrical features.

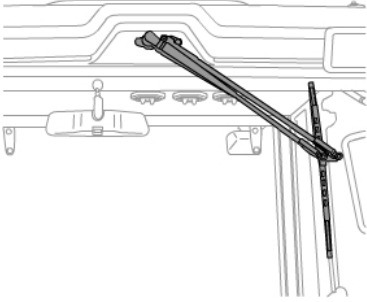
---

### ***CAB SWITCHPLATE***

**IMPORTANT:** Do not activate the wipers when the windows are dry as the glass may get scratched.

#### **Front Wiper/Washer Switch (Washer Optional)**

When the top portion of the wiper switch is pressed down, the wiper is activated and stays on. If the cab is equipped with the optional Washer Kit, then the bottom portion of the rocker switch will activate the washer stream as well as the wiper motor in a momentary state. Hold down the switch to continue a stream of washer fluid. If the cab is not equipped with washer kit, then the bottom portion of the switch is a momentary wiper motor speed.



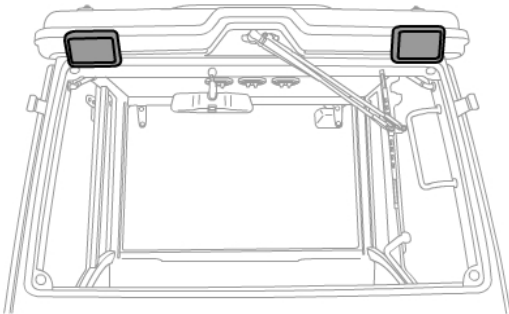
---

### Using the Wipers in Winter

1. While not used in winter, keep the blades off the windshield to prevent them from being stuck with ice.
  2. If the windshield is covered with snow, scrape it off before using the wipers.
  3. If the wiper blade is stuck to the windshield with ice and does not move, switch wiper to the OFF position, and remove the ice from the wiper blade.
- 

### Front Work Lights

Ensure that the ignition switch is on and press the top portion of the front work light switch. The work lights will turn on.

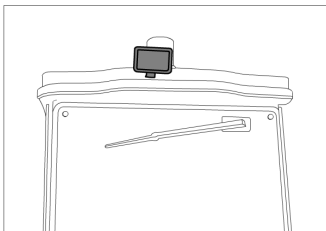


---

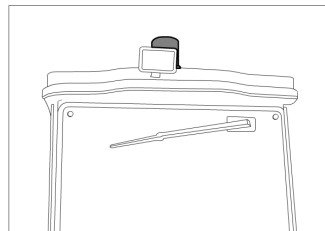
### Rear Work Light (Optional)

Ensure that the ignition switch is on and press the top portion of the rear work light switch. The work light will turn on if equipped.

Ensure that the ignition switch is on and press the top portion of the hazard switch. The beacon will turn on if equipped.



rear work light



beacon

---

## **HEATER/PRESSURIZING FAN**

**⚠ CAUTION** To avoid personal injury: Have the tractor repaired immediately if any of the following defects are discovered. Such defects may cause burns or injuries. They may also cause engine seizure or other serious failure.

### **Daily Inspection:**

1. Check for scratches, cracks, or swelling in the water hoses.
2. Check for leakage at water hose joints.
3. Check for loose mounting bolts and damaged brackets.

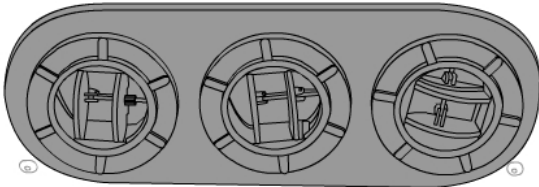
**Do not touch the water hoses and the heater with your hand. You may get burned.**

### **Airflow Direction**

Air in the cab is drawn through the filter in the rear of the cab and then is discharged inside the cab through the three vents in the headliner.

### **Air Control Louvers**

The front three louvers can be adjusted individually as required. For windshield defrost, rotate the louvers to face towards the windshield.



## **HEATER CONTROLS ON SWITCH PLATE**

### **Fan Control**

The fan has three speeds and on off position. Turn the knob clockwise to increase fan speed and maximum air flow output. If the windows fail to defrost in extreme conditions or become cloudy when dehumidifying the cab, wipe off moisture with a soft cloth.

### **Temperature Control**

The heater control knob turns counter clockwise to open a water valve for more heat. To reduce the level of heat, turn the knob clockwise to close the valve.

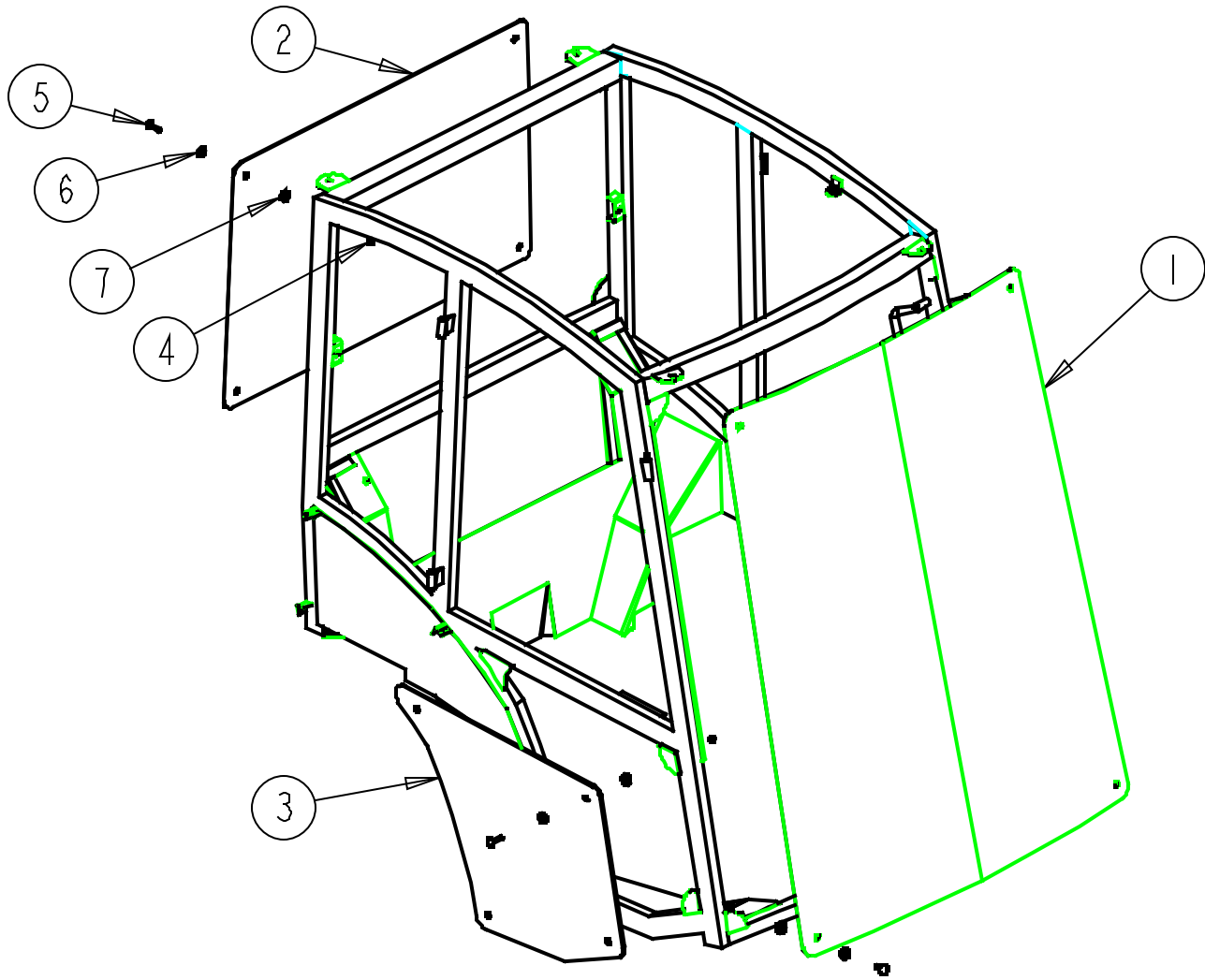
## **PARTS**

All parts are illustrated in 'exploded views' which show the individual parts in their normal relationship to each other. Reference numbers are used in the illustrations. These numbers correspond to those in the 'Item #' column, and are followed by the description and quantity required.

Orders must give the complete description, correct part number, the total amount required, cab serial number, method of shipment and the shipping address.

*The manufacturer reserves the right to change, modify, or eliminate from time to time, for technical or other reasons, certain or all data, specifications, or the product or products themselves, without any liability or obligation.*

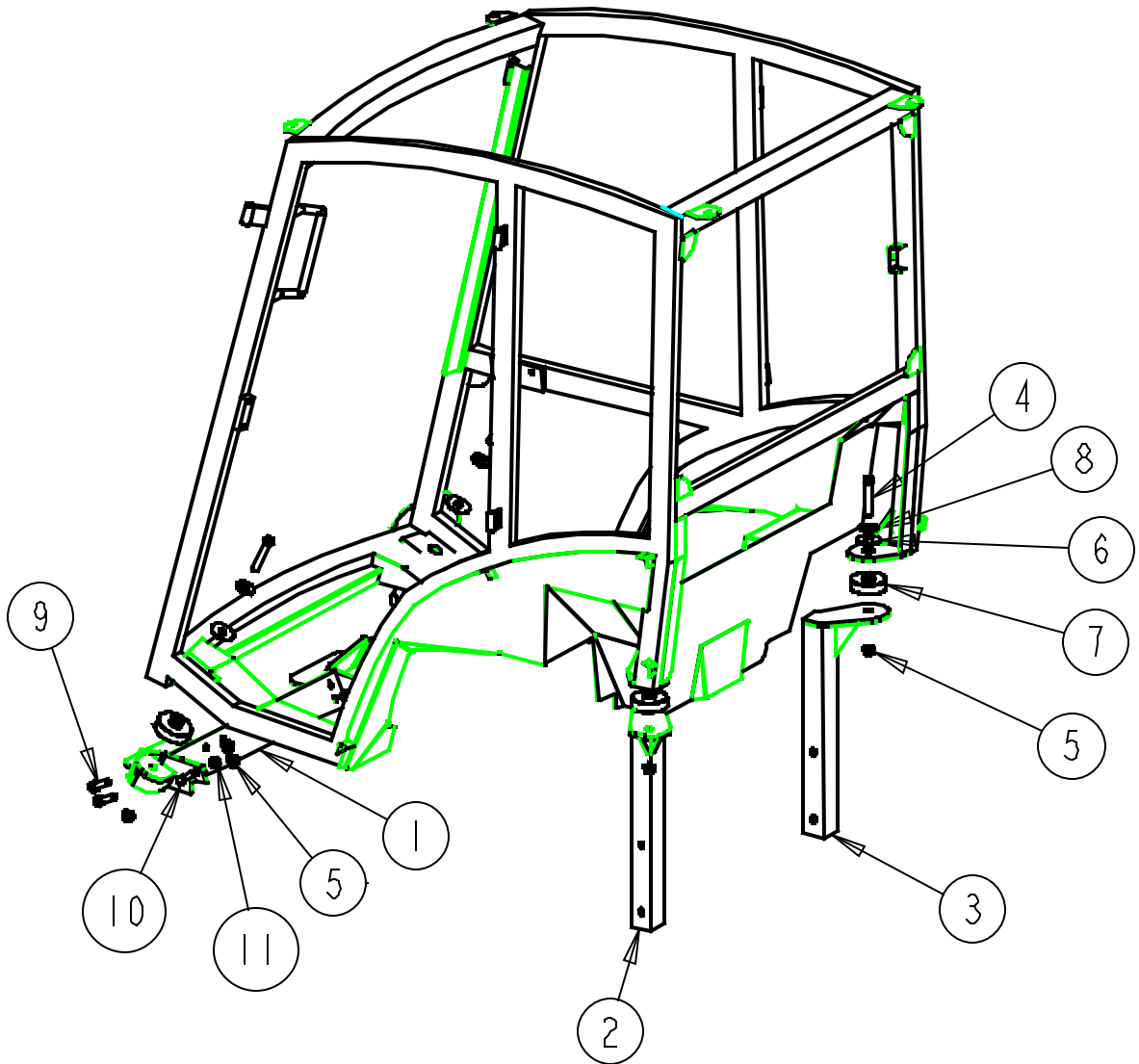
# Fixed Glass



Fixed Glass			
Item #	Description	Qty.	JDP P/N
1	Windshield Glass	1	101454
n/a	Windshield Weatherstripping (16.04LF)	1	101460
2	Rear Window	1	101457
n/a	Rear Window Weatherstripping (11.09LF)	1	101463
3	Lower Right Window	1	101459
n/a	Lower Right Window Weatherstripping (7.43LF)	1	101465
4	Nut, Flange, 1/4", Macro-black	12	100223
5	Bolt, Step, 1/4" x 1 1/4", Macro-black	12	100003
6	Bushing, Neoprene, 5MM, Black	12	100382
7	Bushing, Neoprene, 8MM, Black	12	100381

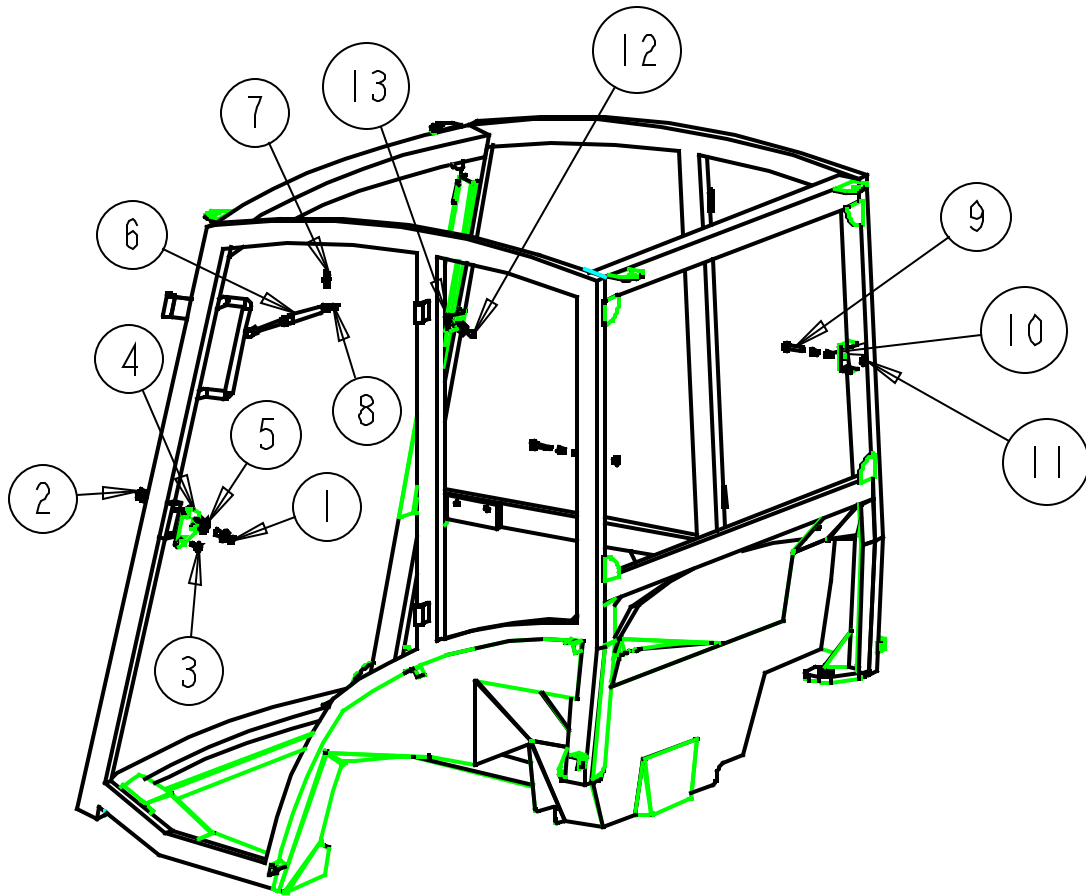


# ROPS Mounting Assembly



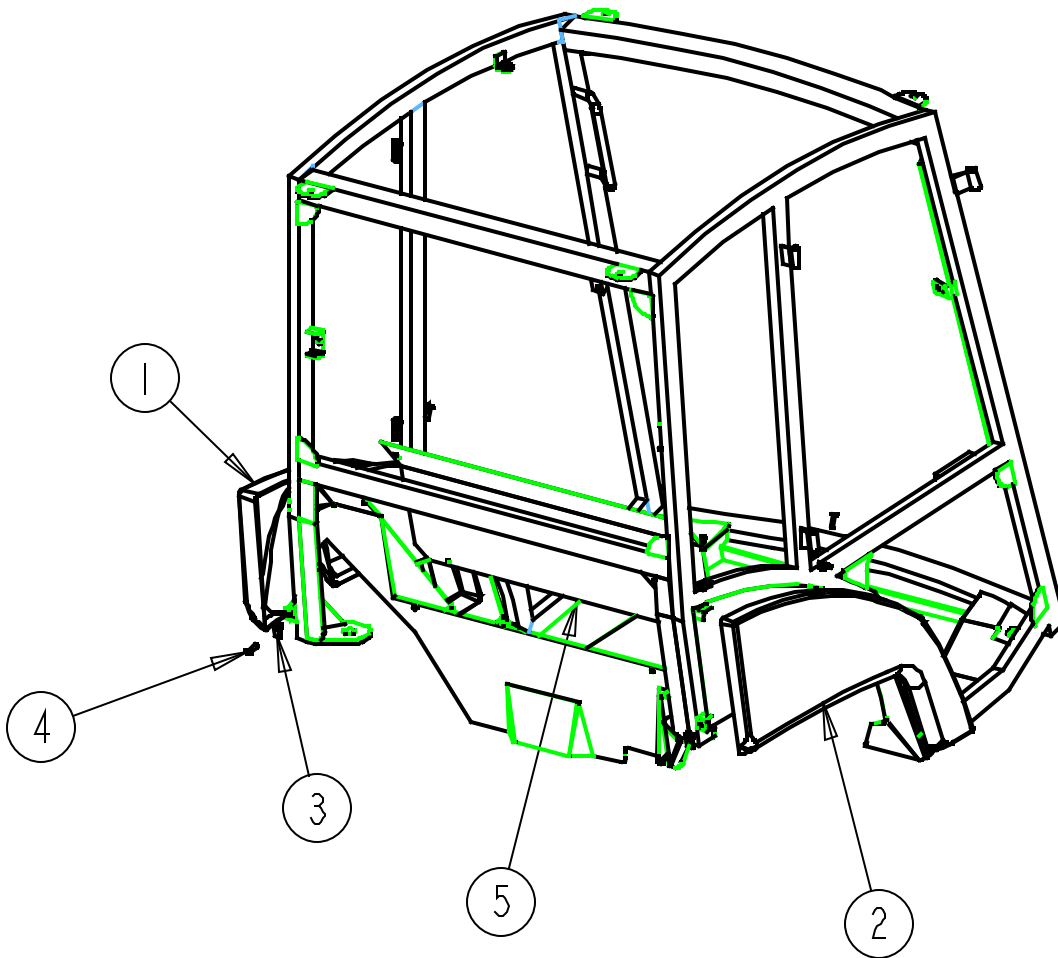
ROPS Mounting Assembly			
Item #	Description	Qty.	JDP P/N
1	Front Cab Bracket	1	101468
2	Rear Left Bracket	1	101469
3	Rear Right Bracket	1	101470
4	Bolt, Hex, 1/2" x 3", Gr. 8, YD	4	100121
5	Nut, Hex, Locking, 1/2", Gr. 8, YD	8	100116
6	Washer, Flat, Steel, 1/2" x 2 1/2", YD	4	100450
7	Isolator, Rubber, 1/2" x 2 1/2", Black	4	100448
8	Washer, Flat, Rubber, 1/2" x 2 1/2", YD	4	100449
9	Bolt, Hex, 1/2" x 1 1/2", Gr. 8, YD	4	100054
10	Bolt, Hex, 7/16" x 1 1/2", Gr. 8, YD	2	100886
11	Nut, Flange, 7/16", Gr. 8, YD	2	100763

# Frame Parts



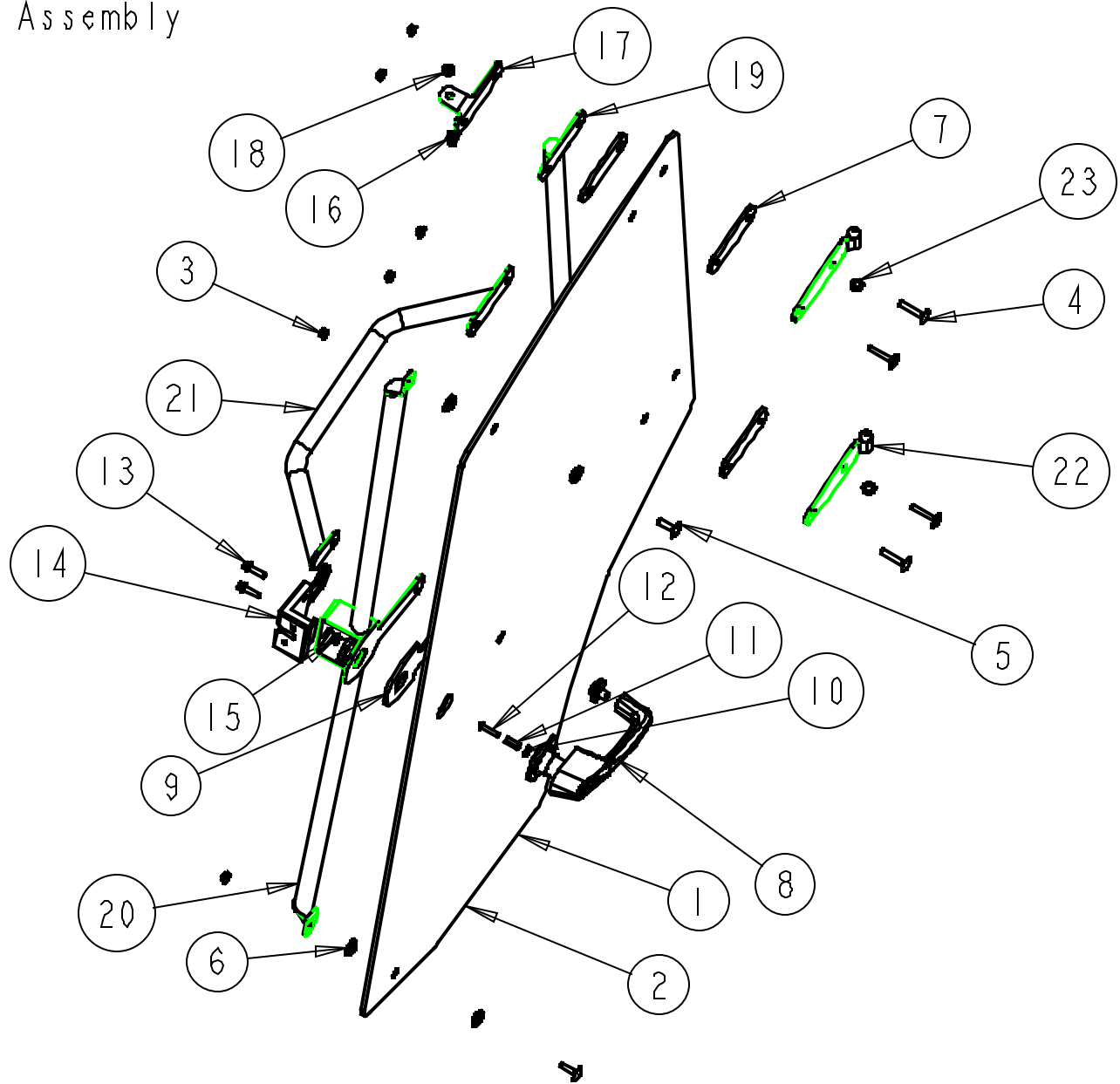
Frame Parts			
Item #	Description	Qty.	JDP P/N
1	Striker Pin	1	100013
2	Striker Pin Nut	1	100014
3	Bolt, Flange, 1/4" x 1/2", YD	2	100278
4	Striker Plate	1	100012
5	Washer, Flat, 1/2", Gr. 8, YD	1	100431
6	Gas Shock	1	100365
7	Gas Shock Ball Stud	1	100366
8	Gas Shock Clip	2	100367
9	Bolt, Hex, 5/16" x 1 1/2", YD	2	100376
10	Latch Bushing	4	100033
11	Nut, Flange, 5/16", YD	2	100005
12	Window Arm Pin	1	100019
13	Nut, Flange, M10 x 1.5	1	100020
n/a	Lift Hole Plug Buttons	2	100478

# Body Panels



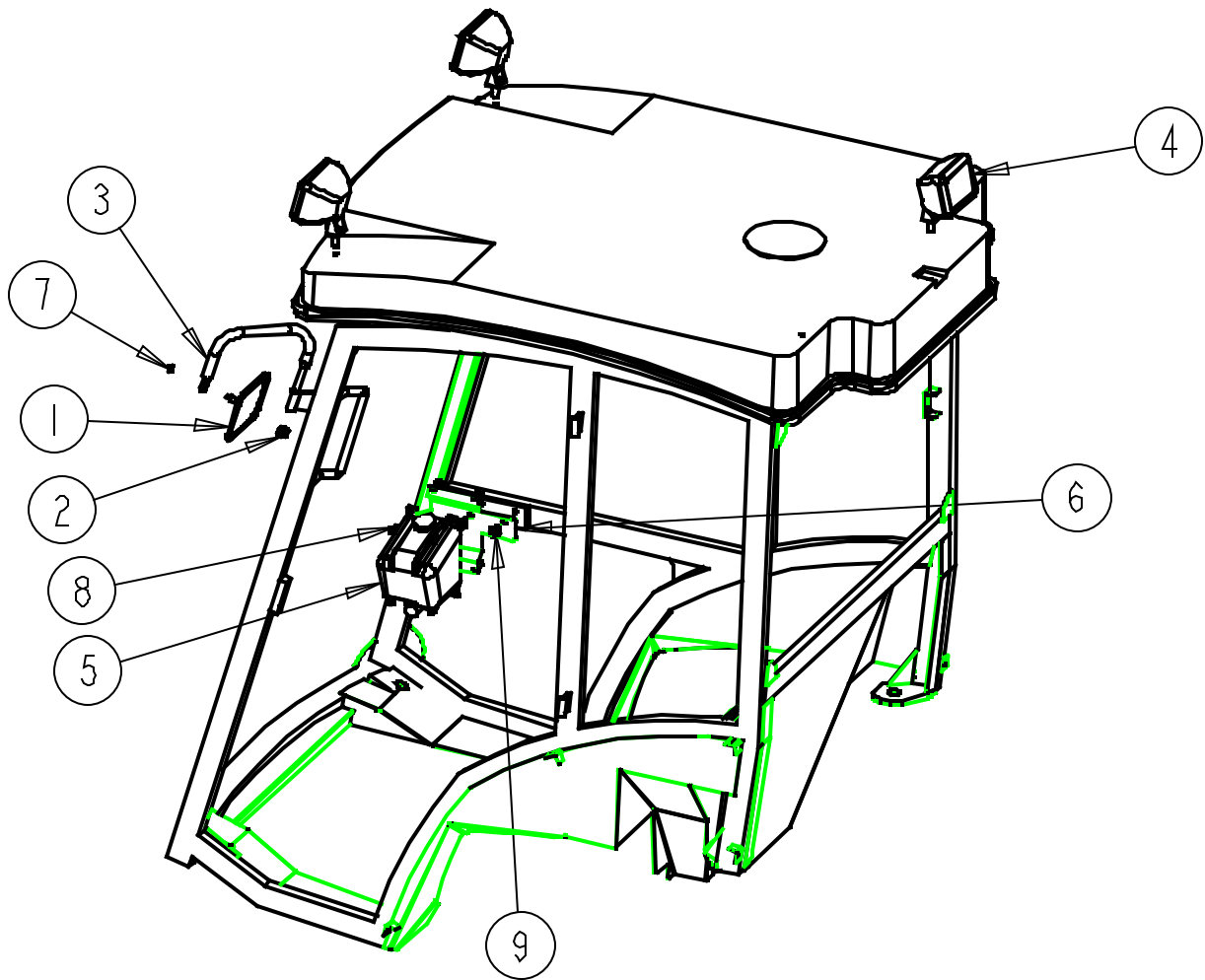
Body Panels			
Item #	Description	Qty.	JDP P/N
1	Left Composite Side Panel	1	101471
2	Right Composite Side Panel	1	101472
3	Nut, Extruded-Panel, 1/4"	8	100042
4	Screw, Button-Head, 1/4" x 1", Macro-black	8	100441
5	Rear Shield	1	101482
n/a	Nut, 4-Lobe, 1/4"	4	101483

# Door Assembly



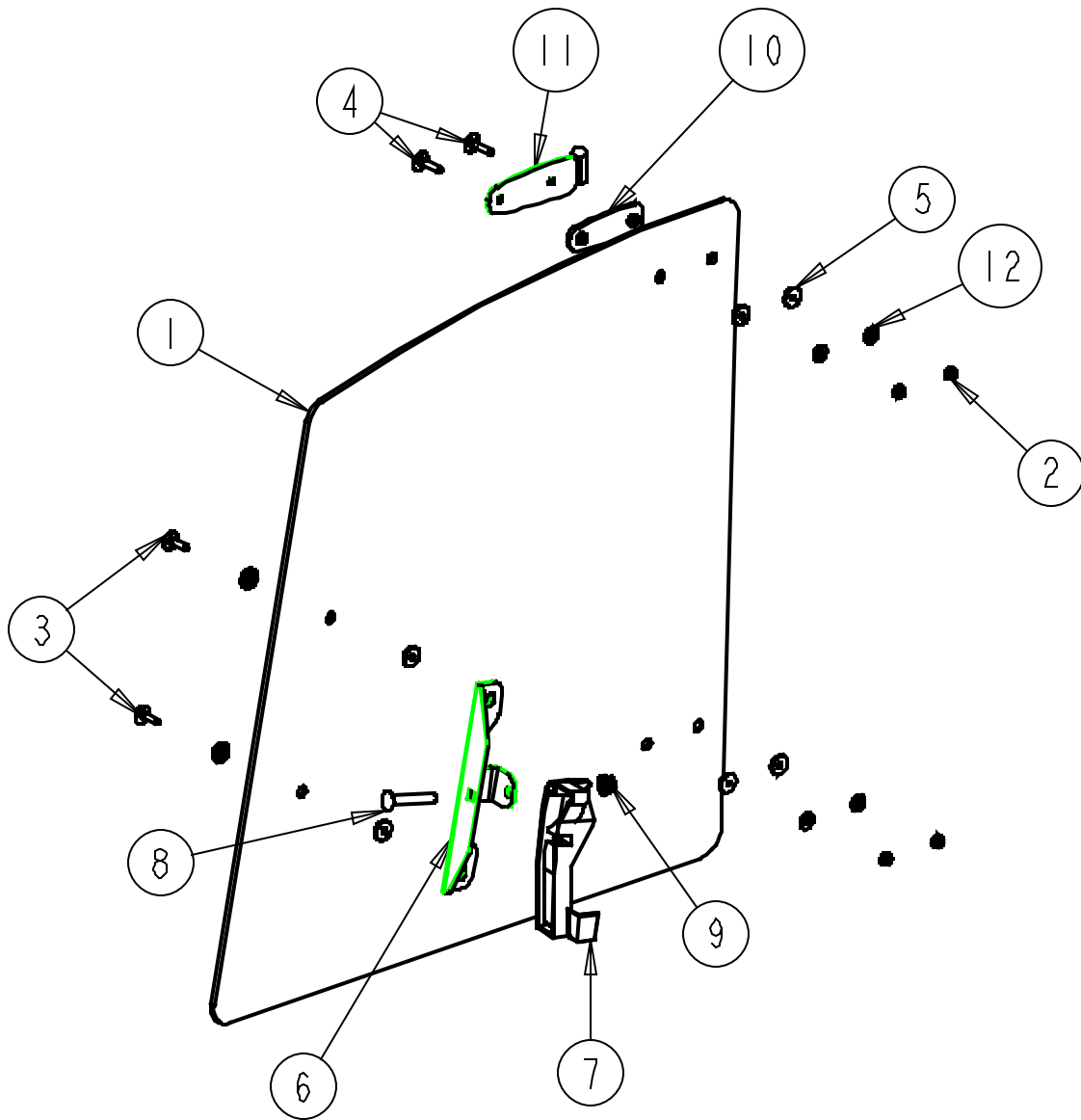
Door Assembly							
Item #	Description	Qty.	JDP P/N	Item #	Description	Qty.	JDP P/N
1	Door Glass	1	101455	13	Bolt, Flange, M6 x 1.0 x 25mm, YD	3	100007
2	Door Glass Weatherstripping (13.57LF)	1	101461	14	Door Latch - Left	1	100006
3	Nut, Flange, 1/4", Macro-black	6	100223	15	Nut, Flange, M6 x 1.0m YD	2	100008
4	Bolt, Step, 1/4" x 1 1/2", Marco-black	4	100635	16	Gas Shock Ball Stud	1	100366
5	Bolt, Step, 1/4" x 1", Macro-black	2	100003	17	Gas Shock Mount Plate	1	100368
6	Bushing, Neoprene, 5MM, Black	4	100382	18	Nut, Flange, 5/16", YD	1	100005
7	Neoprene, Injection Molded, 5MM, Black	4	100362	19	Door Hinge Support Weldment	1	100936
8	Door Push-Button Handle	1	101445	20	Door Latch Support Weldment	1	100937
9	Door Handle Bushing	1	101397	21	Door Grab Handle Weldment	1	100938
10	Washer, Flat, 3/16"	1	101478	22	Door Hinge Weldment	2	100377
11	Nut, Coupler, 10-32 x 3/4"	1	101476	23	Hinge Brass Flat Washer	2	100026
12	Machine Screw, 10-32 x 1 1/4"	1	101477				

# Accessories Assembly



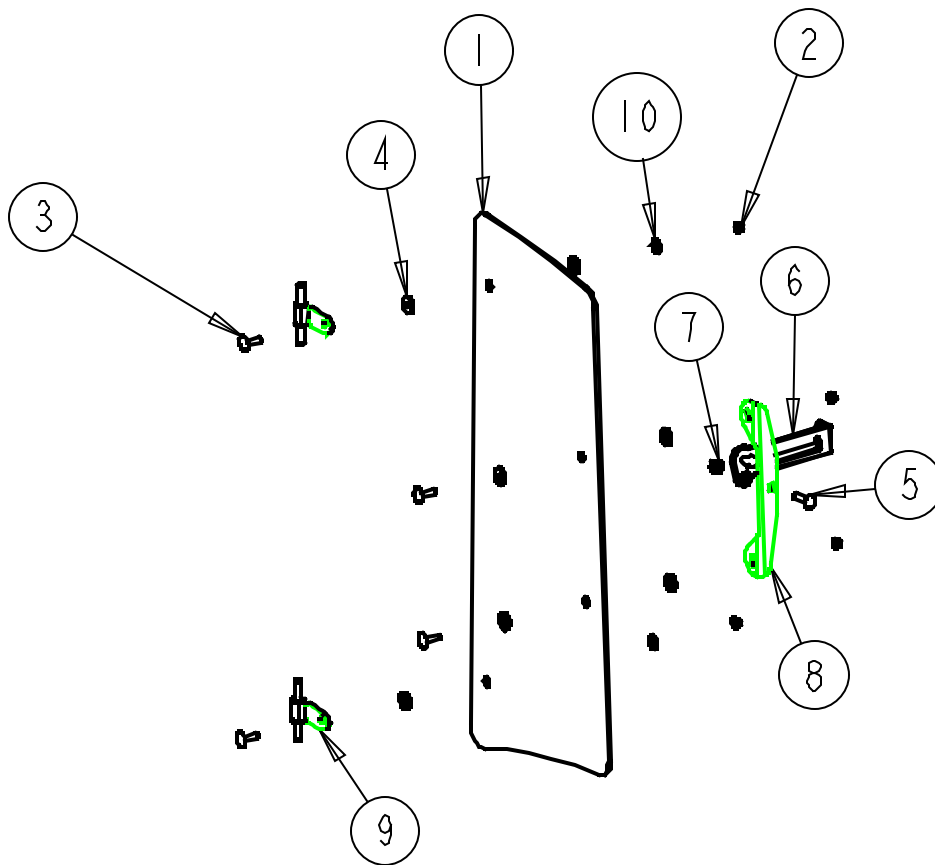
Accessories Assembly			
Item #	Description	Qty.	JDP P/N
1	Exterior Mirror	2	100440
2	Nut, Lock, Crimped, 1/2", YD	2	101224
3	Mirror Bracket, Left	1	100438
n/a	Mirror Bracket, Right	1	100439
4	Worklamp	3	100731
5	Washer Bottle w/Pump	1	100220
6	Washer Bottle Mount Plate	1	101481
7	Nut, Flange, 1/4", MB	6	100223
8	Bolt, Flange, 1/4" x 1/2", YD	4	100384
9	Bolt, Flange, 3/8" x 3/4", YD	2	100668
n/a	Wet Arm Kit	1	100822

# Escape Window Assembly



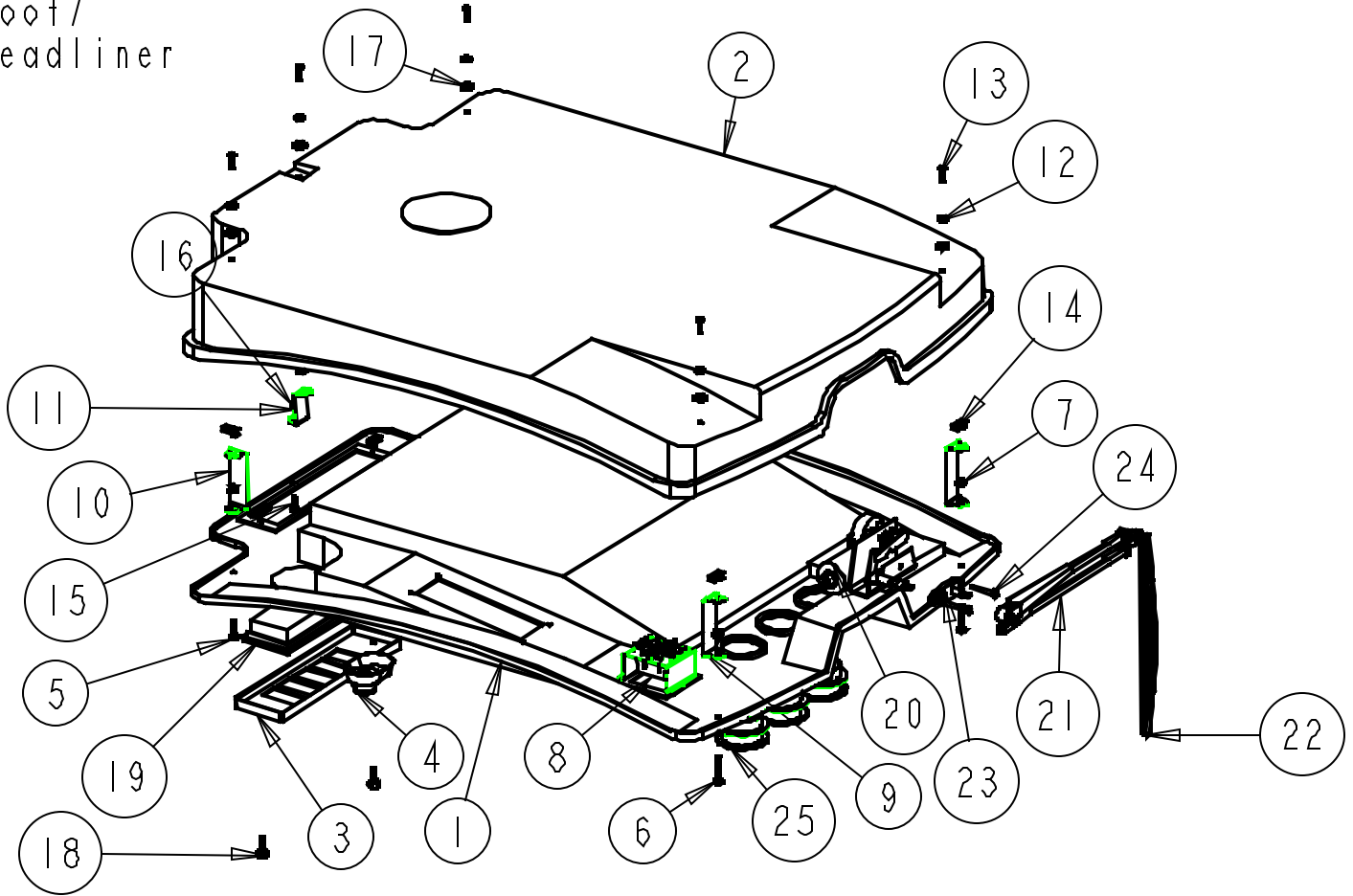
Item #	Description	Qty.	JDP P/N
1	Escape Window	1	101458
n/a	Glass Weatherstripping (10.63LF)	1	101464
2	Nut, Flange, 1/4", Macro-black	6	100223
3	Bolt, Step, 1/4" x 1", Macro-black	2	100383
4	Bolt, Step, 1/4" x 1 1/4", Macro-black	4	100003
5	Bushing, Neoprene, 5MM, Black	8	100382
6	Escape Window Latch Bracket	1	100385
7	Window Arm	1	100017
8	Bolt, Carriage, 3/8" x 2 1/2", YD	1	100399
9	Nut, Serrated, Flange, 3/8", YD	1	100018
10	Neoprene, Injection Molded, 5MM, Black	2	100362
11	Escape Window Hinge Weldment	2	100378
12	Washer, Flat, 1/4", Yellow Dichrome	4	100380
n/a	Hinge Brass Flat Washer	2	100026

# Opening Side Window Assembly



Opening Side Window Assembly							
Item #	Description	Qty.	JDP P/N	Item #	Description	Qty.	JDP P/N
1	Left Side Window	1	101456	n/a	Right Side Window	1	101456
n/a	Glass Weatherstripping (8.43LF)	1	101462	n/a	Glass Weatherstripping (8.43LF)	1	101462
2	Nut, Flange, 1/4", Macro-black	4	100223	n/a	Nut, Flange, 1/4", Macro-black	4	100223
3	Bolt, Step, 1/4" x 1", Macro-black	4	100003	n/a	Bolt, Step, 1/4" x 1", Macro-black	4	100003
4	Bushing, Neoprene, 5MM, Black	8	100382	n/a	Bushing, Neoprene, 5MM, Black	8	100382
5	Bolt, Carriage, 5/16" x 1", YD	1	100374	n/a	Bolt, Carriage, 5/16" x 1", YD	1	100374
6	Side Window Latch	1	100027	n/a	Side Window Latch	1	100028
7	Nut, Flange, 5/16", YD	1	100005	n/a	Nut, Flange, 5/16", YD	1	100005
8	Side Window Latch Bracket	1	100375	n/a	Side Window Latch Bracket	1	100375
9	Side Window Hinge Weldment	2	100379	n/a	Side Window Hinge Weldment	2	100379
n/a	Hinge Brass Flat Washer	4	100026	n/a	Hinge Brass Flat Washer	4	100026
10	Washer, Flat, 1/4", YD	2	100380	n/a	Washer, Flat, 1/4", YD	2	100380

# Roof/ Headliner



Roof/Headliner Assembly							
Item #	Description	Qty.	JDP P/N	Item #	Description	Qty.	JDP P/N
1	Headliner	1	101466				
2	Roof	1	101467	14	Nut, Extruded-Panel, 1/4"	7	100042
3	Air Filter Retainer	1	101220	15	Bolt, Step, 1/4" x 1", Macro-black	1	100003
4	Domelight	1	100402	16	Nut, Flange, 1/4", Macro-black	1	100223
n/a	Headliner Weatherstrip 1 (15.4 LF)	1	100530	17	Bushing, Neoprene, 5MM, Black	5	100382
5	Bolt, Carriage, 5/16" x 1", YD	2	100374	18	Knob, 4-Lobe, 1/4" x 1"	2	100130
6	Bolt, Carriage, 5/16" x 2", YD	2	101194	19	Air Filter	1	100782
7	Nut, Flange, 5/16", YD	4	100005	20	Front Wiper Motor w/Bracket	1	100481
8	Fuse Blocks, ATO, 4-Port	2	100453	21	Front Pantograph Wiper Arm, 22"	1	100490
9	Front Headliner Coupler Plate	2	101269	22	Front Wiper Blade, 24"	1	100491
10	Rear Headliner Coupler Plate	2	101270	23	Pantograph Adapter Kit	1	100532
11	Rear Headliner Coupler Plate	1	101261	24	Bolt, Hex, 1/4" x 2", UNF, YD	2	100482
12	Washer, Flat, 1/4", YD	5	100380	25	Louvre Assembly	3	100405
13	Screw, Button-Head, 1/4" x 1 1/2"	5	100727				